

Commercial heating solutions

Air curtain range update

The new range

Wall mounted	600mm
	900mm

	1000mm
	1500mm
Built in	2000mm
	1000mm
	1500mm
	2000mm



RIDAIR

Commercial heating solutions



Air curtain range update

■ The new range: wall mounted short models

Reference	Length
611530	600 mm
611531	900 mm

→ Shops and stores refurbishing / replacement of old products

Simplified onboard controls

Stop

Ventilation only

Ventilation + full power heating



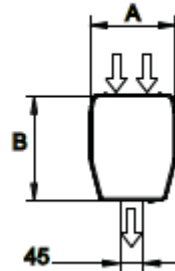
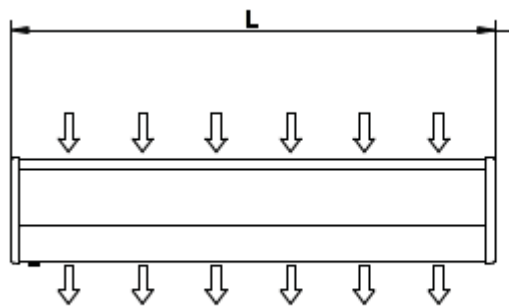
All in one product for easy installation: wall brackets and cable included

Commercial heating solutions



Air curtain range update

■ Dimensions (products + installation) & weight: wall mounted short models



Reference	Weight	length L
611530	10.0 kg	635 mm
611531	13.5 kg	935 mm

A : 160mm / B : 200 mm

Commercial heating solutions



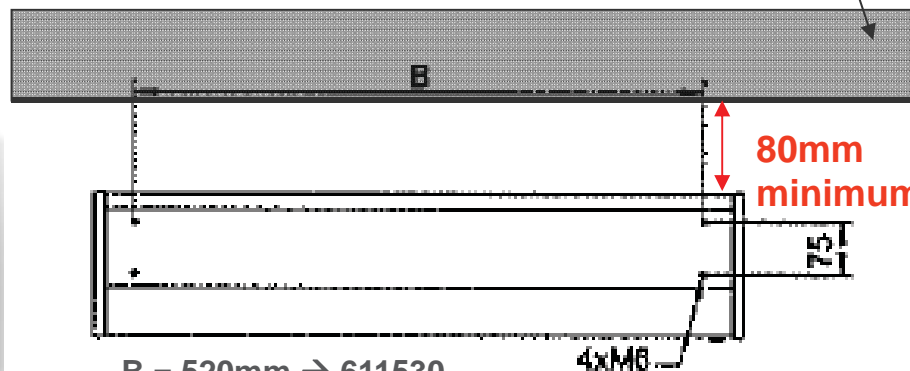
Air curtain range update

- Installation : wall mounted short models

Ceiling



Two wall brackets supplied



B = 520mm → 611530

B = 820mm → 611531

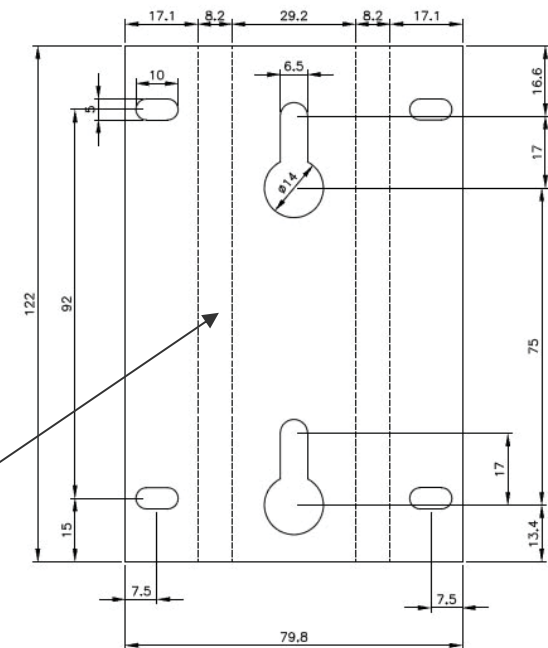
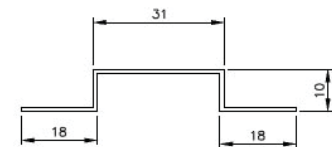
M6 Screws

4xM6

80mm minimum

75

Dimensions



Commercial heating solutions



Air curtain range update

The new range: wall mounted long models

Reference	lengths
611532	1000 mm
611533	1500 mm
611534	2000 mm

Designed to cover large spaces
(double doors, sliding doors etc...)

- When impossible to install built-in model
- Renovation: replacing an existing product

Regulation:

- Control box
- Radio remote control

Adjustable air flow and output



Included accessories for wall or ceiling mounting

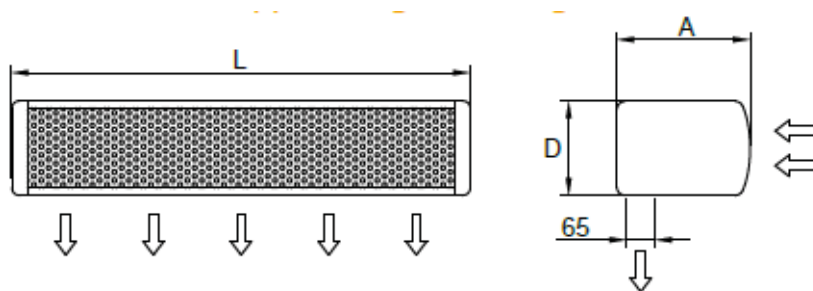


Commercial heating solutions



Air curtain range update

■ Dimensions (products) + weights : wall mounted long models



A : 300 mm / D : 215 mm

Reference	Weight	Length L
611532	19.5 kg	1050 mm
611533	28.5 kg	1550 mm
611534	37.5 kg	2050 mm

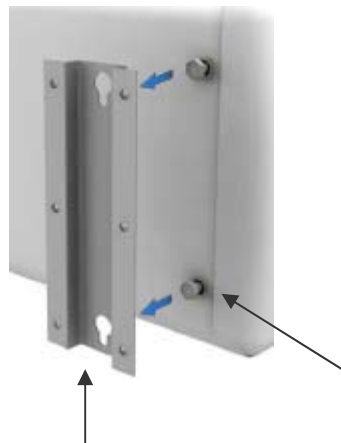
Commercial heating solutions



Air curtain range update

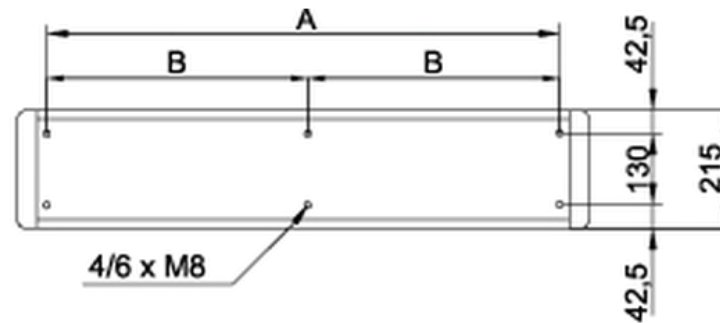
Installation : wall mounted long models

Option 1 : wall mounted
(accessories included)

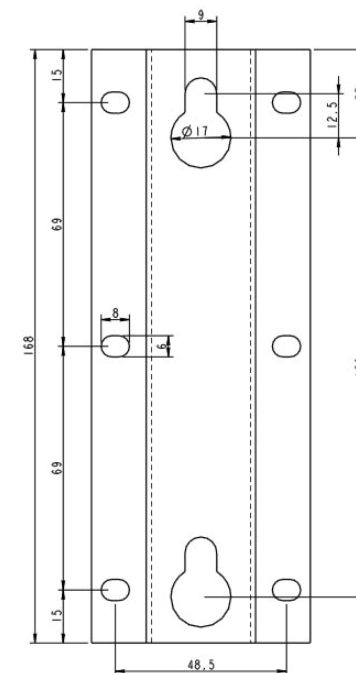
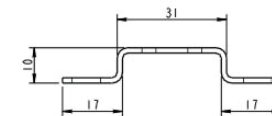


M8 screw

Brackets x 2 included
(x3 for the 2m model)



L	A	B
1050	940	-
1550	1440	-
2050	1940	970



Commercial heating solutions



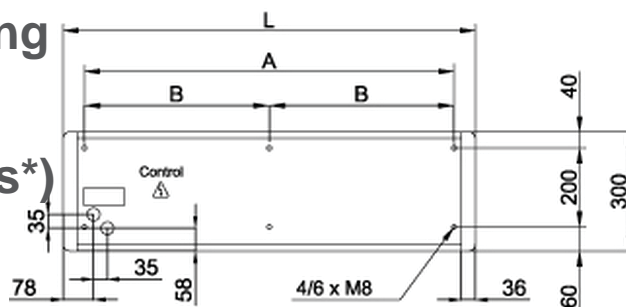
Air curtain range update

Installation : wall mounted long models

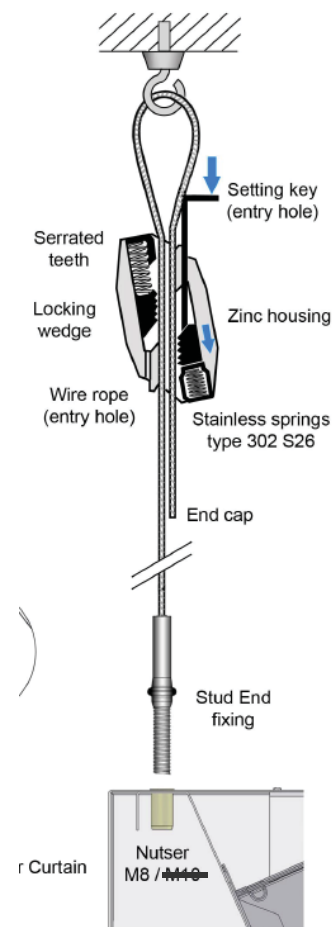
Option 2 : ceiling mounting
(optional accessories)

Reference: 611538 (2 filins*)

611532	2 x 611538
611533	2 x 611538
611534	3 x 611538



L	A	B
1050	940	-
1550	1440	-
2050	1940	970



* Filin length : 2m
GROUPE ATLANTIC

Commercial heating solutions



Air curtain range update

The new range: built-in models

Reference	Length
611535	1000 mm
611536	1500 mm
611537	2000 mm

Designed to cover large spaces
(double door, sliding doors etc...)

- Suitable for the new built (hidden)
- Renovation : replacement of existing built-in products

Regulation:

→ Control box

→ Radio remote control

Adjustable air flow and output



Wall mounted with accessories

OR

Ceiling mounted with accessories

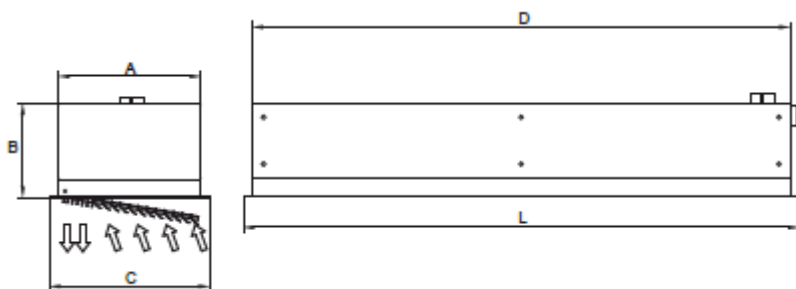


Commercial heating solutions



Air curtains range update

Product dimensions and weight : built-in models



A : 396 mm / B : 259 mm / C : 446 mm

Reference	Weight	Built-in length D	Apparent length L
611532	19.5 kg	1000 mm	1050 mm
611533	28.5 kg	1500 mm	1550 mm
611534	37.5 kg	2000 mm	2050 mm

Commercial heating solutions



Air curtain range update

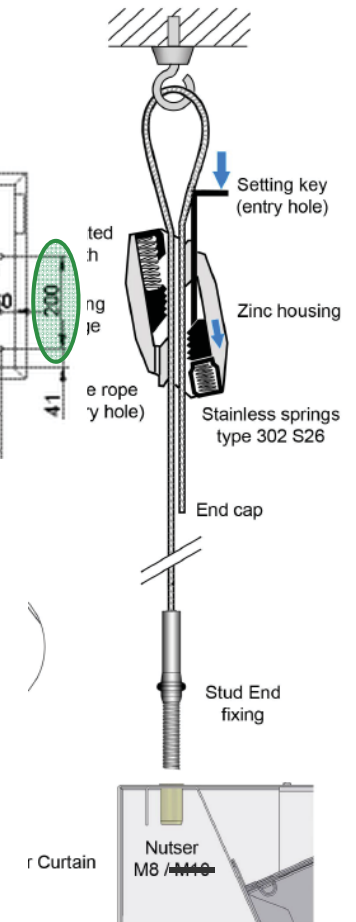
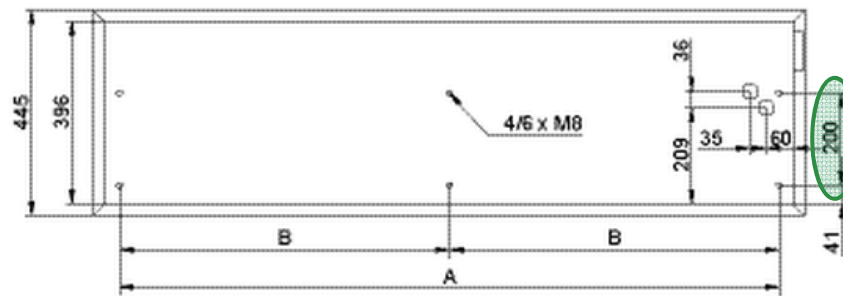
Installation : built-in models

Option 1 : Ceiling mounted
(optional accessories)

Code : 611538 (2 filins*)

611535	2 x 611538
611536	2 x 611538
611537	3 x 611538

* filin length 2m



611535	A = 938 mm	X
611536	A = 1438 mm	X
611537	A = 1938 mm	B = 969 mm

Commercial heating solutions



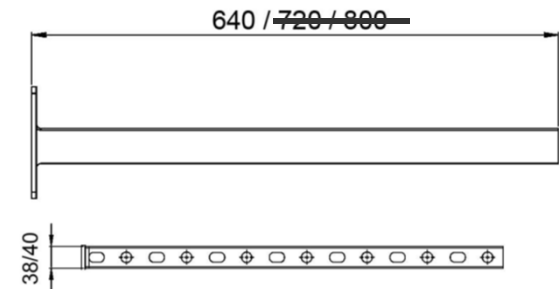
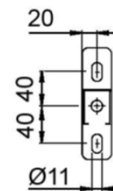
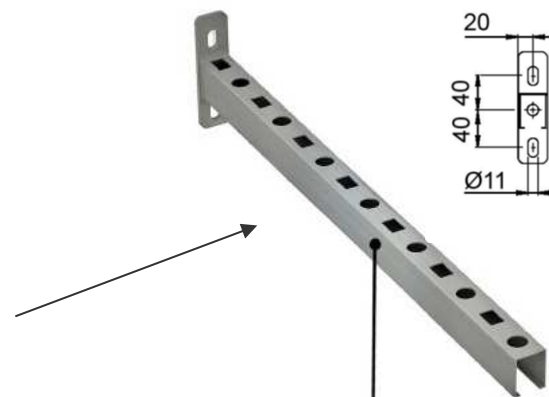
Air curtain range update

■ Installation : built-in models

**Option 2 : wall mounting
(optional accessories)**

Code : 611539 (2 rails)

611535	1 x 611539
611536	1 x 611539
611537	2 x 611539



Exemple :

